



PV Waterheating System 150L

Low irradiation areas
Product Code: 150L

INSTALLATION INSTRUCTIONS

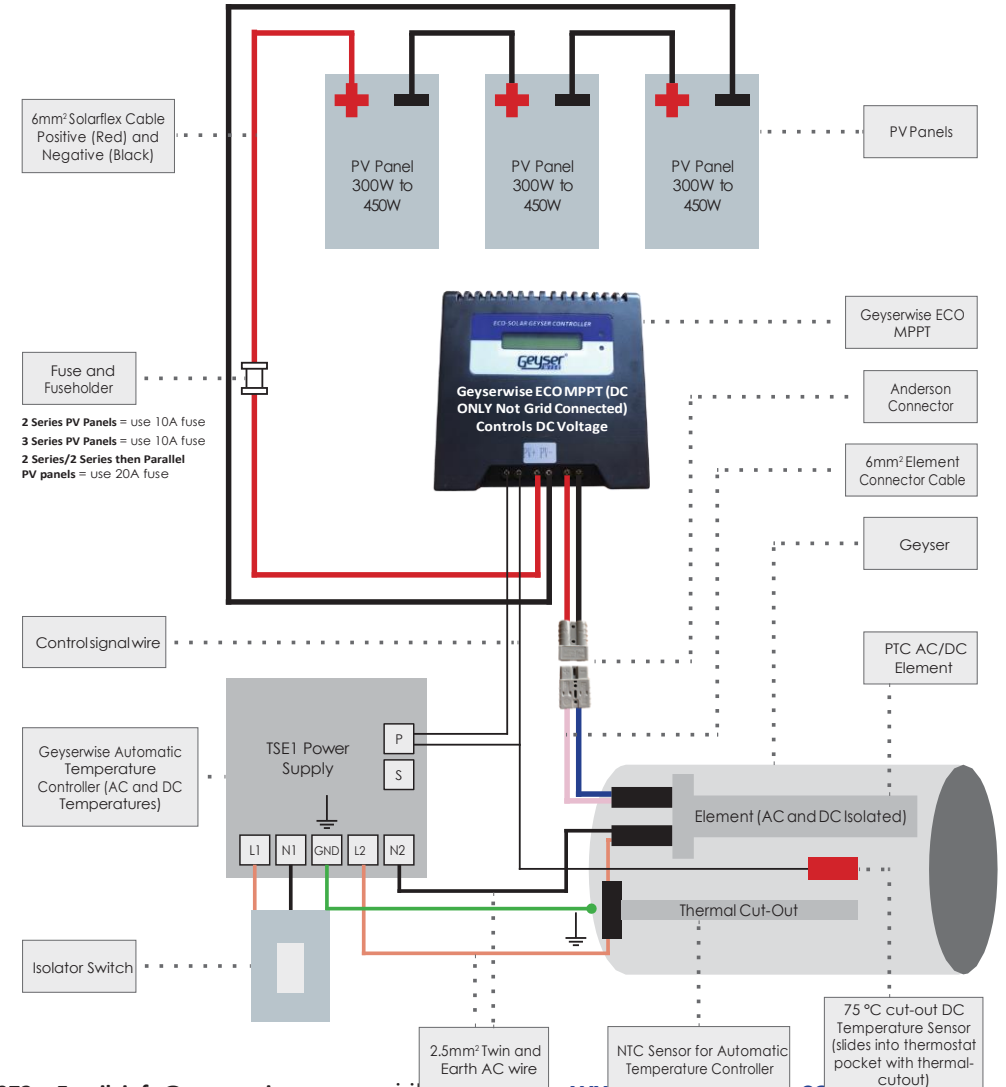
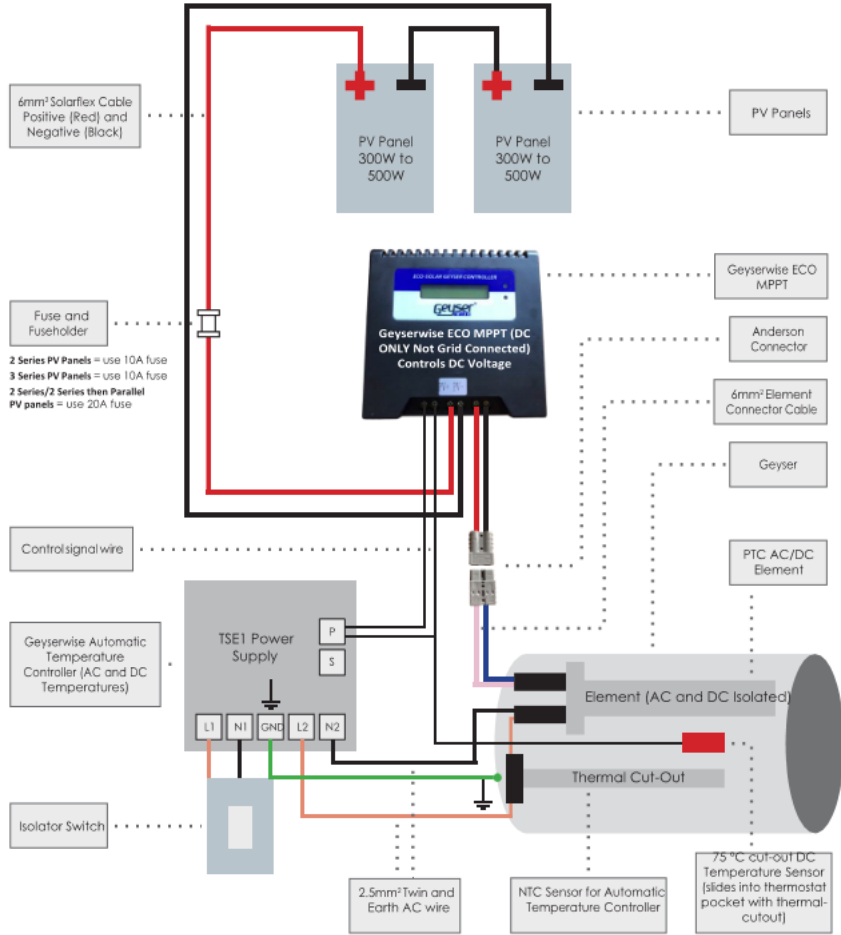


PV Waterheating System 150L

High irradiation areas
Product Code: 150H

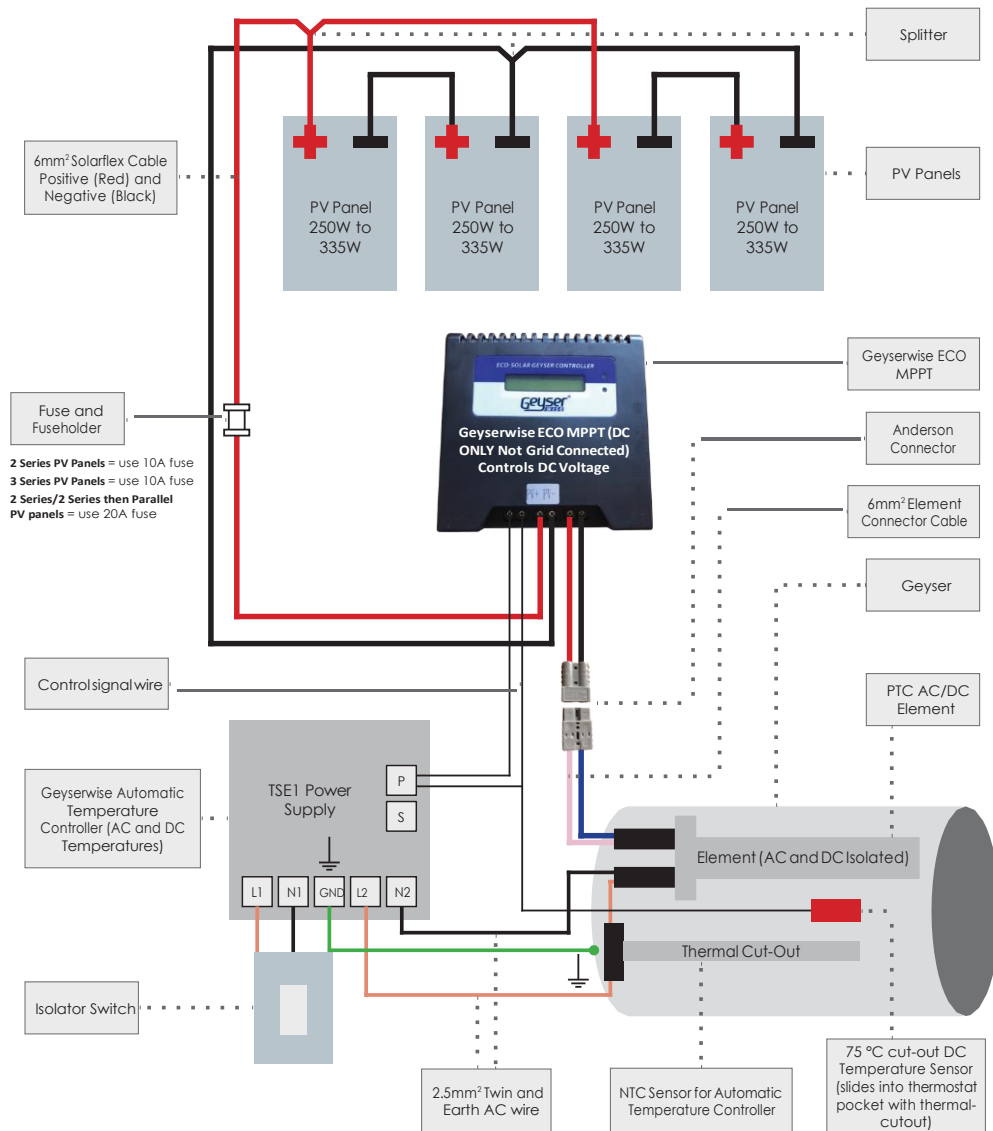
INSTALLATION INSTRUCTIONS

Max PV VOC 150VDC



For more information or assistance, please contact us on Tel.: 086 104 3973 • Email: info@geyserwise.co.za or visit our website, www.geyserwise.co.za

INSTALLATION INSTRUCTIONS



MOUNTING

- MPPT must be mounted in a vertical position against a solid flat surface (concrete, stone or metal surfaces)
- Install in well ventilated area
- Do not install MPPT near water and damp areas
- Do not install in direct sunlight
- Ensure cables are PV solarflex cable of correct thickness
- Allow adequate ventilation for the MPPT

PV CONFIGURATION

- 2 X 250W to 550W Panels in Series
- 3 X 250W to 330W Panels in Series
- 4 X 250W to 330W Panels: 2 Series, 2 Series then Parallel

PLEASE NOTE: Only these configurations can be connected to the MPPT. Any connections other than the above voids the warranty on the MPPT.

TECHNICAL SPECIFICATIONS

- Maximum input voltage **150 VOC**
- Peak efficiency: 98%
- Maximum output Amps: 20A
- Ambient temperature up to 70°C but de-rated at 1A per degree at temperatures above 50°C
- **NOTE: do not expose to direct sunlight and install in potentially very hot ceilings.**
- Environmental IP32
- **Indications 2 LED's Green: PV Tracking on/Orange: PV Tracking idle**
- Inputs/Outputs potential Free
- For detailed instructions scan the QR Code

