

BADU[®] COMBINATION UNITS



BADU[®]



SPECK 

speck-pumps.co.za

BADU® COMBINATION UNITS

Simpler Pool Pump & Filter Installation



- ✓ The installation of an average pool pump can take as much as four hours.
- ✓ Another 2-4 hours is required for the installation of an average pool filter.

YOU KNOW WITH
SPECK X

- ✓ Any new installation of a BADU®Combi unit can be completed in under 1 hour.

PERFECT FOR **DO-IT-EASY** ENTHUSIASTS

SPECK is the greatest name in pumps in South Africa and across the world. We provide South Africa with a range of pool pumps and swimming pool accessories. For over a century, German-headquartered SPECK has designed and manufactured innovative, high-quality pumps for the swimming pool industry worldwide.

SPECK offers a range of swimming pool pumps, filters, equipment and associated accessories for the maintenance and care of swimming pools. We are technology leaders in our industry, which is evident in the design of our BADU®Combi range of combination units.

Engineered for easy installation, these combination units combine a sand filter and pool pump into one easy-to-install unit. The unit is seated on a base that is already fitted with a plumbing system for easy connection to your swimming pool and backwash outlet.

GETTING ACQUAINTED WITH OUR BADU® COMBI UNITS

Our **BADU®Combi units** combine the AQUASWIM® sand filter with a BADU®Porpoise self-priming pool pump. The unit is contained in a high-quality three-piece housing assembly, complete with a fully integrated DB box. The BADU®Porpoise pump range remains unsurpassed in its quality of material, workmanship and functional durability. AQUASWIM® sand filters are strong, reliable and simple to operate.

The **BADU®Eco Touch Combi** unit is a ready-to-install prefabricated filtration system. It combines the AQUASWIM® sand filter with the BADU®Eco Touch self-priming pool pump, a three-piece high-quality housing and a fully integrated DB box. Due to highly innovative motor technology, the self-priming BADU®Eco Touch is revolutionising energy consumption, operating costs, and water quality while ensuring lower CO² emissions. It is also uniquely designed for quiet operation.

The **BADU®Solar Smart Combi** unit merges the AQUASWIM® sand filter with the BADU®Solar Smart circulation pump and includes a highly durable casing and a DC breaker for ultimate safety. This unit is innovatively designed to improve the sustainability of your pool by operating on solar energy, courtesy of solar panels. It utilises free energy from the sun and can run in conjunction with power from the grid with its dual power capability feature.



INSTALLATION EFFICIENCY AT ITS BEST

The size of the swimming pool determines the required BADU®Combi. As prefabricated filtration ready-to-install systems with a plumbed base, these units are attractive thanks to the ease of installation. Ideal for the DIY enthusiast or pool builder looking for a time-saving combo unit install!

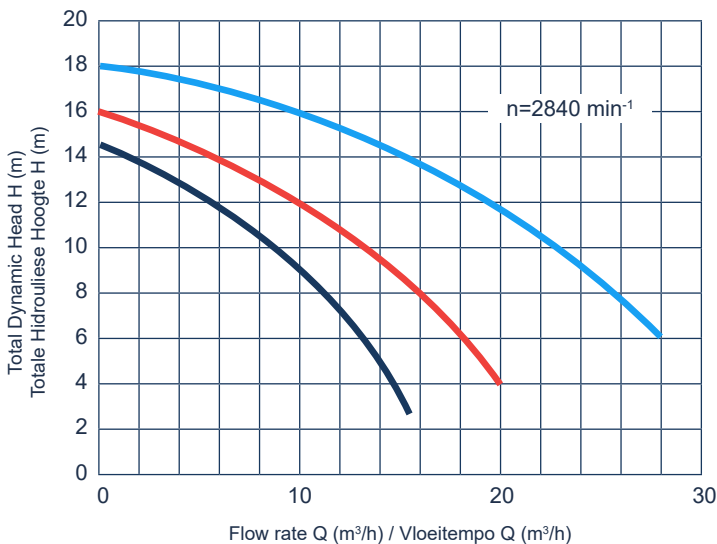
The units that we have available are:

- Combi 2
- Combi 3
- Combi 3 Eco Touch
- Combi 3 Solar Smart
- Combi 4

TECHNICAL DATA

BADU® PORPOISE

*Self-priming
circulation pumps*



- BADU®Porpoise 10 (0.45KW)
- BADU®Porpoise 16 (0.75KW)
- BADU®Porpoise 22 (1.1KW)

Flow rate (Q) in L/h and L/minute

Vloeitempo (Q) in L/h en L/min.

5m³/h	≈ 5 000L/h	83L/minute
10m³/h	≈ 10 000L/h	167L/minute
15m³/h	≈ 15 000L/h	250L/minute
20m³/h	≈ 20 000L/h	333L/minute
25m³/h	≈ 25 000L/h	417L/minute
30m³/h	≈ 30 000L/h	500L/minute

Pool size equipment recommendations

Toerusting aanbeveel volgens swembadgrootte.

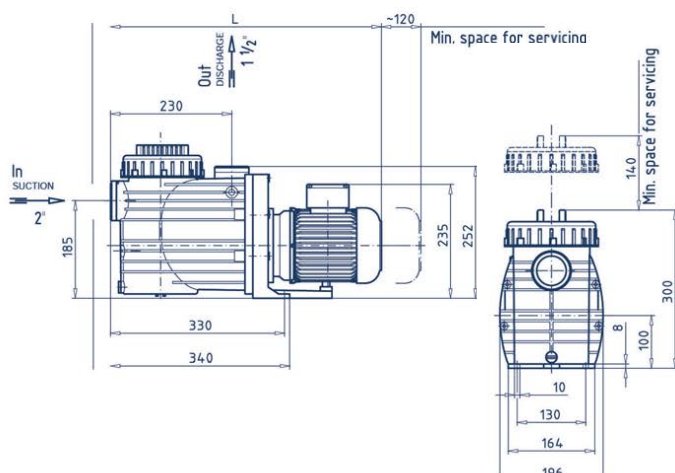
Pool Size / Swembadgrootte	Pump / Pomp	Filter/Filter
30 000 to 55 000 lit	0.45 kW	2 Bag
50 000 to 85 000 lit	0.75 kW	3 Bag
80 000 to 100 000 lit	1.10 kW	4 Bag

BADU®Porpoise Range Dimensions table (mm)

BADU®Porpoise-afmetingstabel (mm)

Type / Model	Height / Hoogte	Length / Lengte
Porpoise 10	300	513
Porpoise 16	300	513
Porpoise 22	300	513
Type / Model	Width / Breedte	Weight / Gewig
Porpoise 10	196	8.9kg
Porpoise 16	196	10.0kg
Porpoise 22	196	13.4kg

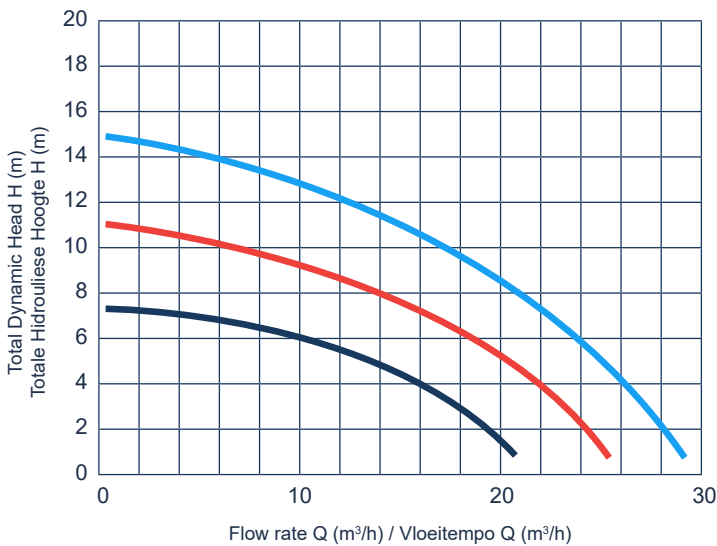
Dimensional Drawing / Dimensionele Skets



TECHNICAL DATA

BADU® ECO TOUCH

*Self-priming
circulation pumps*



- BADU®Eco Touch (n=2000 min⁻¹) Low
- BADU®Eco Touch (n=2430 min⁻¹) Med
- BADU®Eco Touch (n=2830 min⁻¹) High

Flow rate (Q) in L/h and L/minute

Vloeitempo (Q) in L/h en L/min.

5m³/h ≈ 5 000L/h 83L/minute

10m³/h ≈ 10 000L/h 167L/minute

15m³/h ≈ 15 000L/h 250L/minute

20m³/h ≈ 20 000L/h 333L/minute

25m³/h ≈ 25 000L/h 417L/minute

30m³/h ≈ 30 000L/h 500L/minute

Pool/Pond size equipment recommendations

Toerusting aanbeveel volgens swembadgrootte/Dam grootte

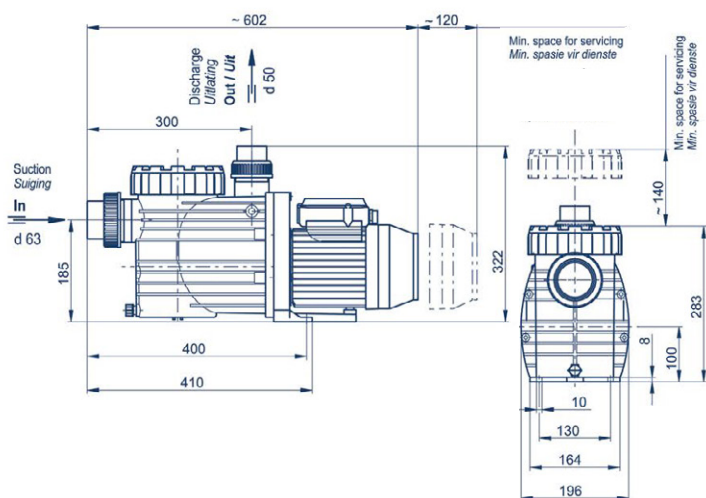
Pool/Pond Size / Swembad/Dam grootte	Pump / Pomp	Filter / Filter
50 000 to 85 000 lit	0.75 kW	3 Bag

BADU®Eco Touch dimensions table (mm)

BADU®Eco Touch-afmetingstabel (mm)

Height / Hoogte	Length / Lengte	Width / Breedte
312.40	513	196
Inlet / Inlaat	Outlet / Uitlaat	Weight / Gewig
63	50	9kg

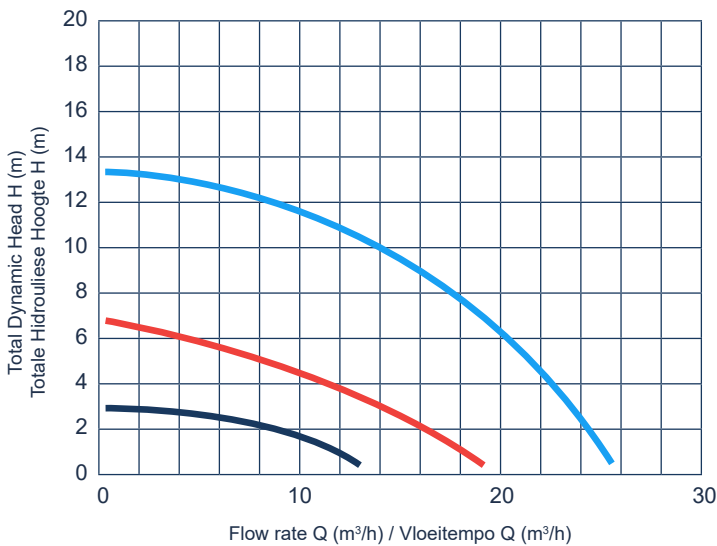
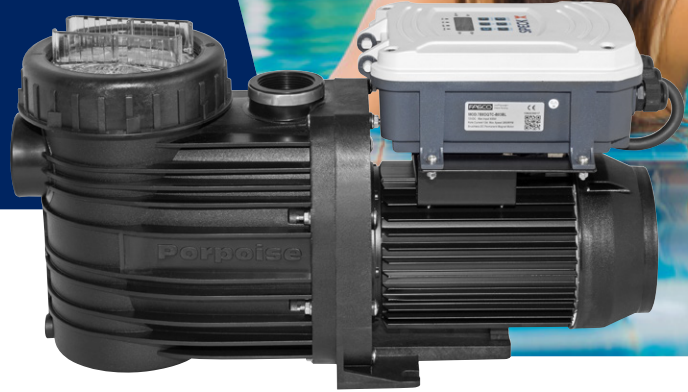
Dimensional Drawing / Dimensionele Skets



TECHNICAL DATA

BADU® SOLAR SMART

Self-priming circulation pumps



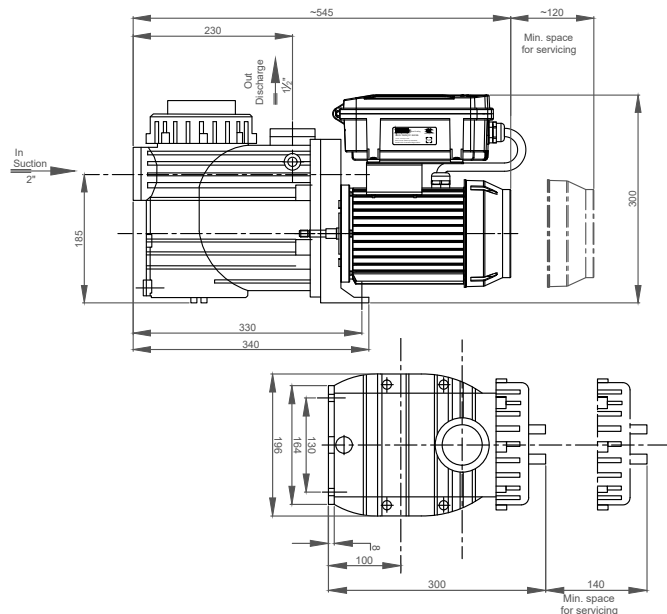
- BADU®Solar Smart (n=1450 min⁻¹)
- BADU®Solar Smart (n=2150 min⁻¹)
- BADU®Solar Smart (n=2850 min⁻¹)

BADU®Solar Smart dimensions table (mm)

BADU®Solar Smart-afmetingstabel (mm)

Type / Model	Height / Hoogte	Length / Lengte
BADU® Solar Smart	300	545
	Width / Breedte	Weight / Gewig
	196	9.9kg

Dimensional Drawing / Dimensionele Skets



Technical Data	Solar Smart
Inlet / outlet connection (Rp)2	63/50
Inlet / outlet pipe, PVC-pipe, (d ⁴)	63/50
Power Output	750 W
Maximum power at motor input	930 W
Nominal Voltage of motor	72 Vdc
Operating Voltage range of motor	60-150 Vdc
Maximum motor current	15 A
Insulation Class	F155
Operating max ambient temperature	55°C
Maximum motor speed (rpm)	2850
Maximum Water temperature (°C)	60
Maximum Casing pressure (bar)	2.5

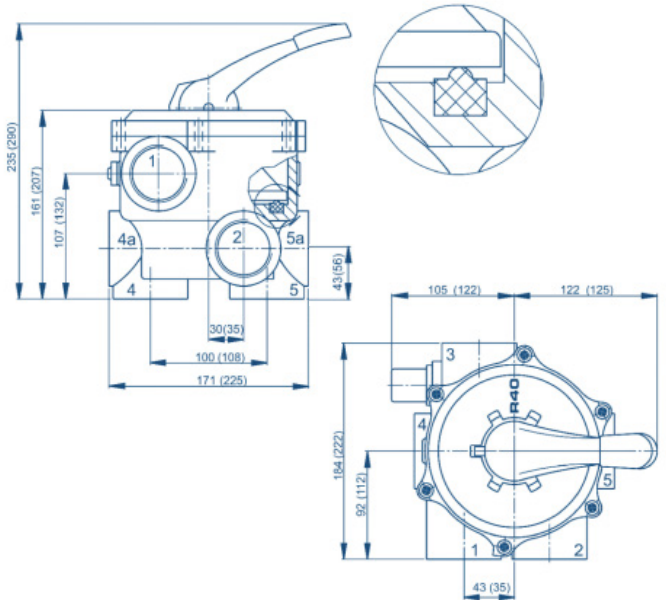
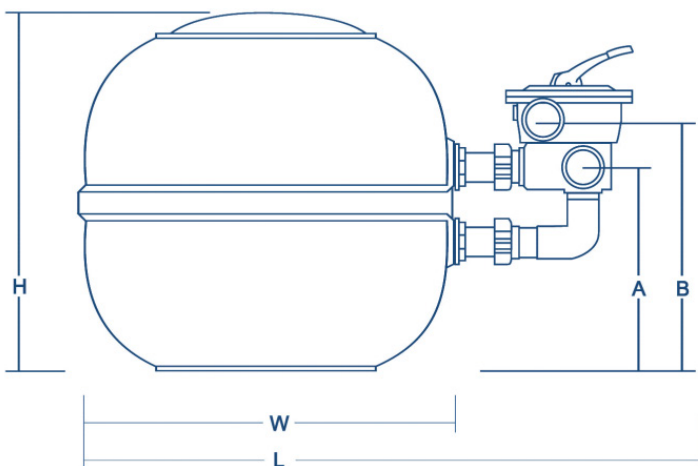
TECHNICAL DATA

AQUASWIM® FILTER

High-rate sand filter



Dimensional Drawing / Dimensionele Skets



Max Flow rate in m³ at 80 kpa L/hour

Vloeitempo in m³ teen 80 kpa

Aquaswim® 2	9.5
Aquaswim® 3	12.5
Aquaswim® 4	14.5
Jumbo	25

Pool Size equipment recommendations

Toerusting aanbeveel volgens swembadgrootte

Pool Size / Swembadgrootte	Pump / Pomp	Filter / Filter
15 000 to 35 000 lit	0.25 kW	1 Bag
30 000 to 55 000 lit	0.45 kW	2 Bag
50 000 to 85 000 lit	0.75 kW	3 Bag
80 000 to 150 000 lit	1.10 kW	4 Bag/Jumbo
140 000 to 190 000 lit	1.50 kW	Jumbo

Aquaswim® range dimensions table (mm) / Aquaswim®-afmetingstabel (mm)

Type / Model	Height / Hoogte	Length / Lengte	Width / Breedte	Weight (excl. sand) / Gewig (sonder sand)	A	B
Aquaswim® 2	590	860	520	13.5	325	390
Aquaswim® 3	610	920	580	14.74	330	395
Aquaswim® 4	700	950	610	17.13	380	445
Jumbo	940	1190	800	39.05	550	620

DURBAN BRANCH

P.O. Box 267
Pinetown, 3600
Unit 1 & 2, Goodwood Park
10 Goodwood Road
Westmead, Pinetown, 3610
Tel: +27 31 700 8005
Fax: +27 31 700 8006

JOHANNESBURG BRANCH

P.O. Box 2425
Bedfordview, 2008
4 Bart Street
Wilbart
Germiston, 1609
Tel: +27 11 455 4300
Fax: +27 11 455 1949

HEAD OFFICE

CAPE TOWN BRANCH

P.O. Box 39340
Capricorn Square, 7948
Unit 7, Southern Cross Village
Capricorn Boulevard South
Capricorn Park
Muizenberg, 7945
Tel: +27 21 704 1143
Fax: +27 21 703 4374

PRETORIA BRANCH

P.O. Box 2425
Bedfordview, 2008
Unit 4, 123 Mosaic Street
Silvertondale, Pretoria, 0184
Tel: +27 12 804 1294
Fax: +27 12 804 1295

SPECK X

speck-pumps.co.za

