

# Product Data Sheet



Product Code:	Issue No.	Issue Date:	Issue by:
<b>41006/3 - 41063/3</b>	<b>D</b>	<b>15.06.15</b>	<b>S.H</b>

Description

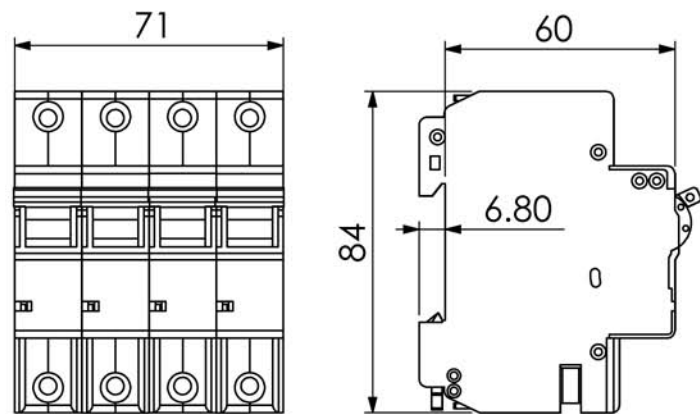
**Four Pole MCBs Type C 10kA**

## General Characteristics

Standards	BSEN60898
Current ratings (In)	6, 10, 16, 20, 32, 40, 50 & 63A
Voltage rating (Ue)	230/400Va.c.
Frequency	50 - 60Hz
Type	C (5-10xIn)
Enclosure material	Flame Retardent PA
Colour	Light Grey - RAL7035
IP Rating	IP20
Cable Entry Facility	Box Terminals
No of Modules	4
No. of Poles	4
Short Circuit rating (kA)	10kA (*)
Terminal capacity (In)	25mm <sup>2</sup>
Terminal capacity (Out)	25mm <sup>2</sup>
Busbar connectivity	upto 2mm thick forked copper busbar
Terminal Tightening Torque	2 - 2.5Nm
Calibration Temperature	30C
Operating temperature	-5C to +55C



## Dimensions



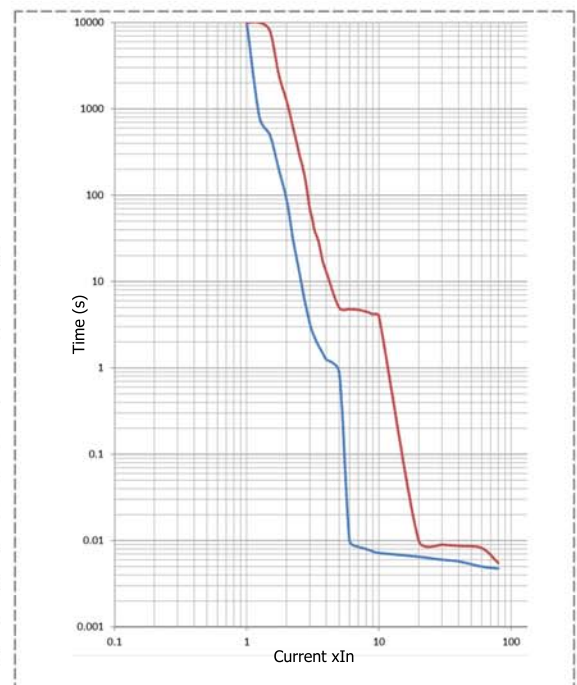
## Product coding

4	10	XX	/3
---	----	----	----

No. of Poles	kA	In	Type
4	10	06	C
	* 50A and 63A rated 6kA	10	
		16	
		20	
		32	
		40	
		50	
		63	

## Earth Fault Loop Impedance Zs max at 218.5V - (230V x 0.95 Cmin)

(In)	Max Zs (@0.4sec)	Max Zs (@5sec)
6	3.83	8.09
10	2.30	4.86
16	1.44	3.03
20	1.15	2.43
32	0.72	1.52
40	0.58	1.21
50	0.46	0.97
63	0.37	0.77



# Product Data Sheet



Product Code:

Issue No.

Issue Date:

Issue by:

**41006/3 - 41063/3**

**D**

**15.06.15**

**S.H**

Description

**Four Pole MCBs Type C 10kA**

## I<sup>2</sup>t Characteristics

