

Submerged counter stream swim units

Onderwater teenstroom-swemeenhede

INSTALLATION PLANNING:

The BADU® Jet Wave is normally incorporated into the original pool design; however, it can be added to any pool at a later date. The BADU® Jet Wave is very compact and has no protruding parts, ensuring the pool user's safety. The centre of the housing (i.e. the nozzle) should be 250mm below water level for maximum efficiency. The air regulator should be located at least 100mm above water level.

The pump should be installed in a chamber close to the pool (not exceeding 1m) in order to keep the pipe connection as short as possible. When planning the shaft allow for easy accessibility, ventilation and suitable pipeline design. A bottom drain must be provided for this location.

Do not use smaller pipe diameter than indicated. The distance between the pool and the control box must not be less than 1m to ensure perfect functioning of the pump. The distance between the pool and the control box must not exceed 10m to ensure perfect functioning of the pneumatic push button. The pneumatic tube must be laid in a protective conduit to allow easy replacement, if necessary.

The wiring of the pump motor should be done by a licensed electrician in accordance with local regulations. It is strongly recommended that the electrical unit be switched through a separate circuit breaker on the main switchboard. The control box should be located in a dry, safe place. Weather protection must be provided for outside installations. The control box should not be mounted in direct sun. Consult your physician before attempting any strenuous exercise. This product may not be challenging or satisfying for all levels of exercise. The jet system is virtually a treadmill in water offering long distance swimming with no turning round.

WARNING: To reduce the risk of injury, do not permit children to use this product unless they are closely supervised at all times.

The full pre-installation specifications are available on request.

INSTALLERINGSBEPLANNING:

Die BADU® Jet Wave is normaalweg deel van die oorspronklike swembadontwerp, maar dit kan wel op 'n later stadium in enige swembad geïnstalleer word. Die BADU® Jet Wave het nie enige dele wat uitstaan nie, wat u swembad veilig maak. Dit is uiters kompak en word teen minimale koste geïnstalleer. Die middelpunt van die omhulsel (d.w.s. die spuitkop) moet 250mm onder die watervlak wees vir maksimum doeltreffendheid. Die lugreëlaar moet ten minste 100 mm bo die watervlak wees.

Die pomp moet in 'n skag (nie wyer as 1m nie) naby aan die swembad geïnstalleer word om die pypkonneksie so kort as moontlik te hou. Wanneer die skag beplan word, maak voorsiening vir maklike toegang, ventilasie en gepaste pyplynontwerp. 'n Dreineringspunt moet vir hierdie ligging voorsien word.

Moenie dunner pyp gebruik as aangedui nie. Die afstand tussen die swembad en die kontrolekas moenie minder as 1 meter wees nie om perfekte werking van die pneumatiese drukknoppie te verseker. Die pneumatiese buis moet in 'n beskermde pyp gelê word om vervanging (indien nodig) te vergemaklik.

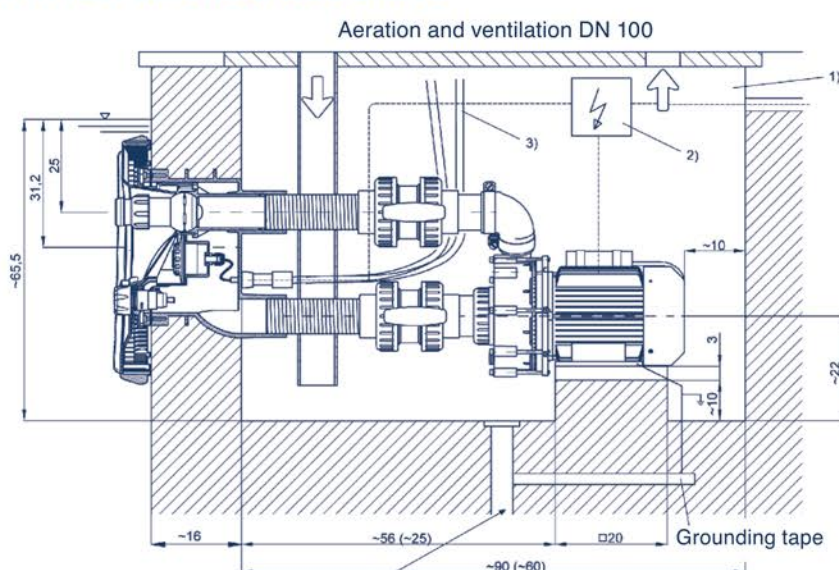
Die bedrading van die pompmotor moet deur 'n gelisensieerde elektrisiën gedoen word ooreenkomstig plaaslike regulasies. Dit word sterk aanbeveel dat die elektriese eenheid op 'n aparte stroombreker op die hoofskakelbord deurgeskakel word. Die kontrolekas moet op 'n droë, veilige plek geleë wees. Buite-installasies moet teen die weer beskerm word. Die kontrolekas moenie in direkte sonlig geïnstalleer word nie.

Raadpleeg u dokter voordat u enige veeleisende oefeninge doen. Dié produk is dalk nie uitdagend of bevredigend genoeg vir alle vlakke van oefening nie. Die Jet-stelsel is eintlik 'n watertrapmeul en bied ure se swem sonder dat dit nodig is om om te draai.

WAARSKUWING: Om die risiko van besering te verminder, moenie toelaat dat kinders die produk gebruik tensy dit te alle tye onder volwasse toesig geskied nie.

Die volledige installasie spesifikasies is op aanvraag beskikbaar.

DIMENSIONAL DRAWING / DIMENSIONELE SKETS



A sufficiently dimensioned drainage must be foreseen.

Dimensions in brackets - version without ballvalves

Dimensions in cm

Z.Nr.: 23.0.090.1

1) Chamber width min. 70cm

2) Switchboard unit to be installed in a dry location

1) Wydte van skag – min. 70cm.

2) Skakelbordeenheid wat op droë plek geïnstalleer moet word.