

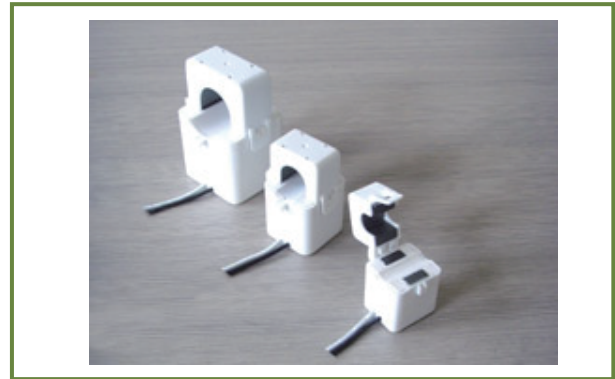
CTSA Series of Split core Current Transformers

CTSA Series (secondary output mA or 0.333-3.53V, Suitable for measuring the cable current)

The YUANXING CTSA series of split core style current transformers are designed for fast and easy installation. The split core design permits non-contact current measurements through magnetic field induction without disconnecting cables circuits for CT installation. This method permits a safer, easier and portable current measurement.



YUANXING
E466650



CTS Series

CTSA Series

CTSB Series

FEATURES

- Low cost
- 4 standard sizes
- Split core design, safer, easier installation, and portable.

APPLICATIONS

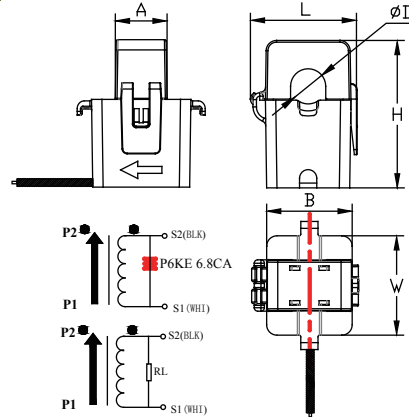
- Electrical lines and equipment of current measurement, control and protection
- Measures AC current flow to electric motors, lighting, air condition equipment, etc. Compatible with HVAC temperature control, power management, building automation systems.

SPECIFICATIONS

- Rated Primary Current: 100-1200Aac
- Rated Secondary output: 0.333Vac or mAac
- Accuracy class: 0.5, 1.0, 3.0
- Operating Temperature: -15°C to +50°C
- Highest Voltage for Equipment U_m (rms): ≤ 0.72 KVac
- Dielectric Strength: 4000Vac, 10s
- Insulating Resistance: 100M Ohms @ 500Vdc
- Frequency: 50-1KHz
- Case Material: UL flame retardant rating 94-V0
- Standard: IEC 61869-1, IEC 61869-2
- RoHS compliant • UL-approved
- Leads: UL1015, Twisted Pair, 0.34mm² (22AWG)

PERFORMANCES

DIMENSION DRAWING



Part Number	Ratio	Measuring			Frequency (Hz)	Outline Dimensions ID-L-W-H-A-B (mm/inch)
		Rated Input (A)	Accuracy Class	Phase linearity error		
CTSA005		5,10,15	1.0 3.0	--	50 to 1KHz	5.0/25.0/22.5/34.5 0.196/0.984/0.886/1.358
CTSA010	1000:1	5,10,20,50,75	1.0 3.0	$\leq 30'$	50 to 1KHz	10.0/30.8/28.8/42.8/15/24.8 0.394/1.213/1.134/1.685/0.591/0.976
CTSA016	2000:1 2500:1 3000:1	75,100,150	0.5 1.0	$\leq 30'$	50 to 1KHz	16.0/37.8/33.9/49/19.9/30.7 0.630/1.488/1.335/1.929/0.783/1.209
CTSA024		100,150,200,250	0.5 1.0	$\leq 30'$	50 to 1KHz	24.0/53.3/40.2/70.0/20.3/45 0.945/2.098/1.583/2.756/0.799/1.772
CTSA035		200,300,400,500	0.5 1.0	$\leq 30'$	50 to 1KHz	35.0/67/42.8/83/22.5/58.2 1.378/2.638/1.685/3.268/0.886/2.291
CTSA050	2000:1 3000:1					50.2/95.2/48.5/109.5/26.6/86.0 1.976/3.748/1.909/4.311/1.047/3.386
CTSA050B	4000:1 5000:1 6000:1	400,500,600,800 ,1000	0.2 0.5 1.0	$\leq 30'$	50 to 1KHz	50.2/87.2/49.3/112.5/27.6/78.0 1.976/3.433/1.941/4.429/1.087/3.071

Note: Output voltage signal, recommended priority of 0.333V; Output Lead wires for standard configuration: AWM1015 22AWG white/black twisted pair lead wires, lead length is 1m. For other length requirement, please advise.

SHANDONG YUANXING Electronics Co.,Ltd.

Phone: +86-533-381-8450
Fax: +86-533-381-8724

NO.39, QIXIN AVENUE, ZHANGDIAN,
ZIBO, SHANDONG, CHINA 255095

www.yuanxing.net
sales@yuanxing.net