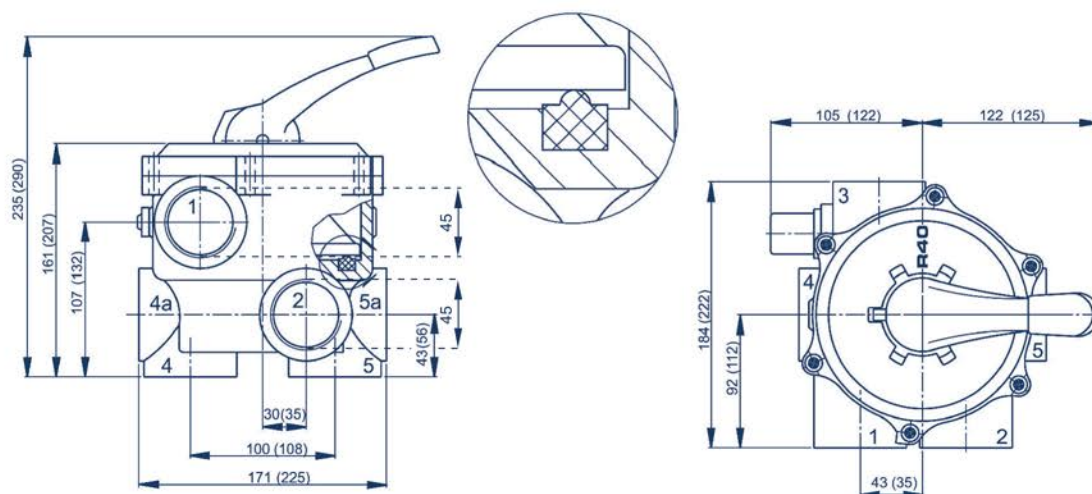
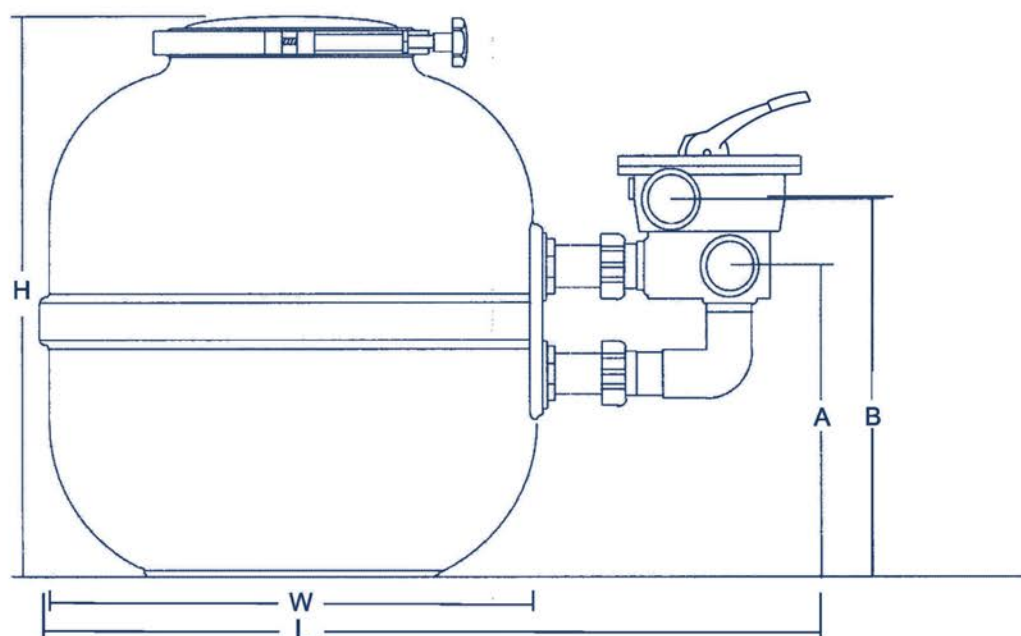


BADU®Koi Filter

High rate sand filter

Hoë werkverrigting sand filter

DIMENSIONAL DRAWING / DIMENSIONELE SKETS



BADU®Koi range dimension table (mm) / BADU®Koi-afmetingstabel (mm)

Type / Model	Height / Hoogte	Length / Lengte	Width / Breedte	Weight (Excl.sand) / Gewig (sonder sand)	A	B
BADU®Koi 1	540	780	460	10.49	300	370
BADU®Koi 2	610	860	520	13.46	335	395
BADU®Koi 3	630	920	580	16.52	345	405
BADU®Koi 4	750	920	610	19.06	380	450

Flow rate in m³ at 80 kPa L/hour

Vloeitempo in m³ teen 80 kPa

BADU®Koi 1	6
BADU®Koi 2	9.5
BADU®Koi 3	12.5
BADU®Koi 4	14.5

Pool size equipment recommendations

Toerusting aanbeveel volgens swembadgrootte

Pool/Pond Size/ Swembad / Dam grootte	Pump / Pomp	Filter / Filter
15 000 to 30 000 lit	0.2/ 0.25 kW	1 Bag
30 000 to 55 000 lit	0.45 kW	2 Bag
50 000 to 85 000 lit	0.75 kW	3 Bag
80 000 to 150 000 lit	1.10 kW	4 Bag